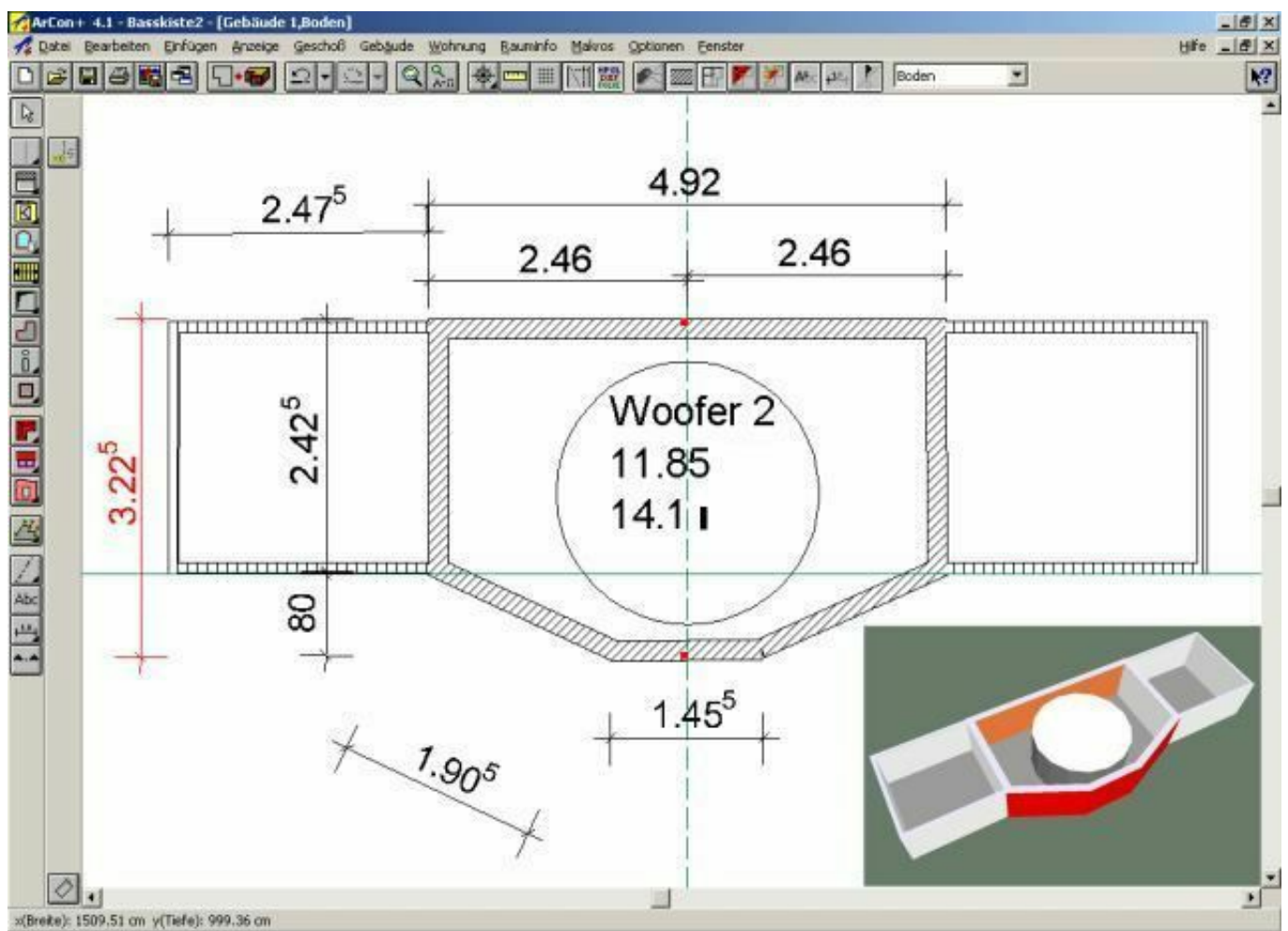


Free Download



[Speaker Box Cad Programs](#)



[Speaker Box Cad Programs](#)

Free Download



The prices range from free to \$1,000+ For most designs that the novice box builder will attempt there are a few I could recommend: WinISD - WinISD is made available by LinearTeam.

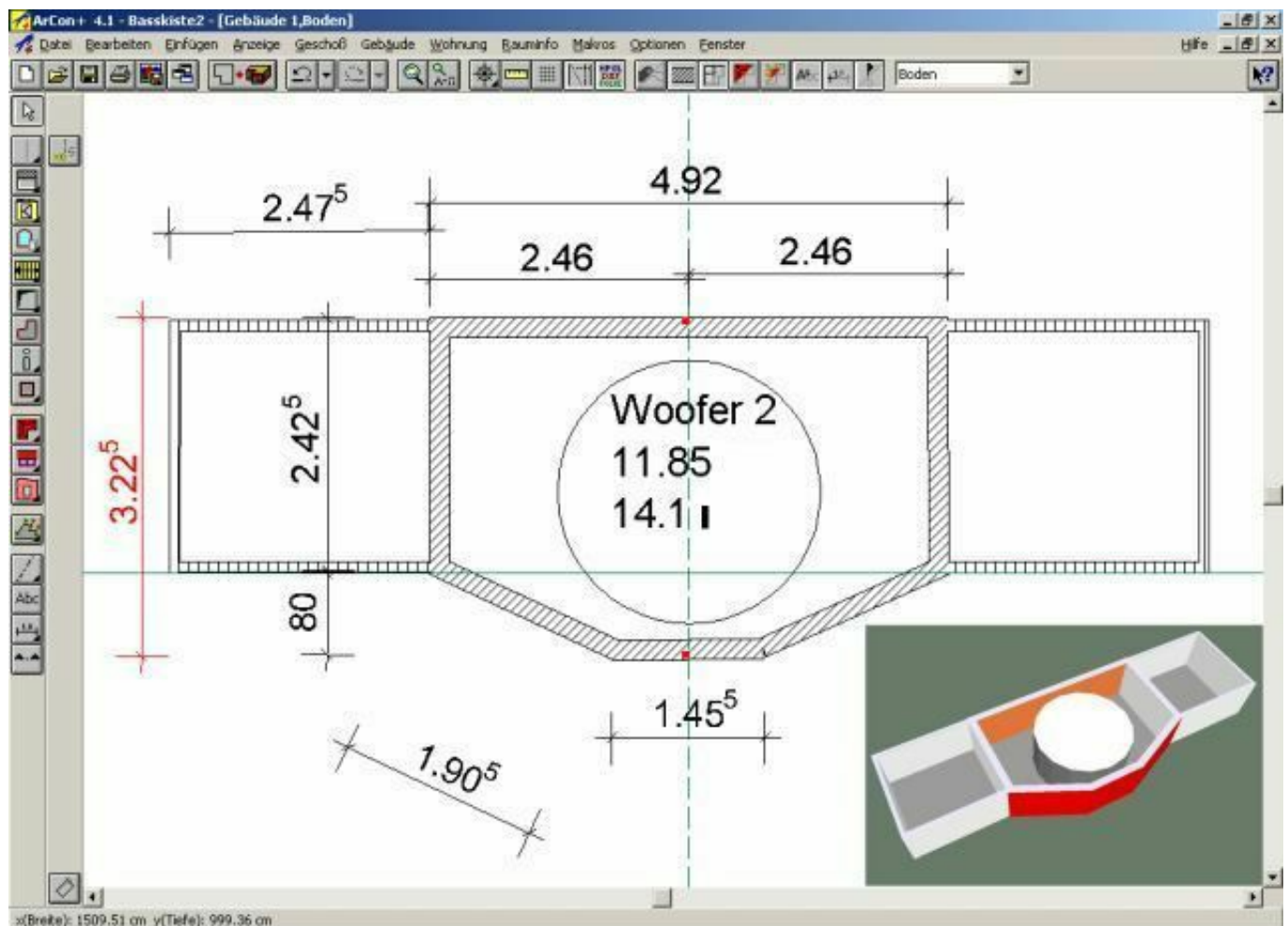
1. [speaker programs](#)
2. [speaker programs oig](#)
3. [speaker programs pharmaceutical](#)

Calculate speaker box volume, port length and other parameters without getting confused in formulas.

speaker programs

speaker programs, speaker programs pharma, speaker programs oig, speaker programs 2020, speaker programs pharmaceutical, allergan speaker programs, janssen speaker programs, ucb speaker programs, medforce speaker programs, novartis speaker programs [Download Free Photoshop Cs6 For Mac](#)

) Rwanda Sabah Sahara, Western Saint Barthelemy (FR) Saint Helena Saint Kitts and Nevis Saint Lucia Saint Martin (FR) Saint Pierre and Miquelon (FR) Saint Vincent and The Grenadin Samoa San Marino Santo Domingo Sao Tome Sarawak Scotland Senegal Serbia Seychelles Sierra Leone Singapore Slovakia Slovenia Solomon Islands Somalia Somaliland South Africa South Georgia Islands South Korea South Sandwich Islands Spain Sri Lanka (ex-Ceilan) Sudan Suriname Svalbard Island Swaziland Sweden Switzerland Syrian Arab Republic Taiwan Tajikistan Tanzania, United Rep. [Mac Os Mojave Apps Not Working](#)



[Download Free Zaytoven Sound Kits](#)

speaker programs oig

[Cracked Pedal Bone In Horses free](#)

It can calculate a box design that will bring out the best response from a loudspeaker in seconds it can even suggest a box for your loudspeaker Eminence Designer models closed, vented, bandpass, and passive radiator boxes. [Tomb Raider Legend 100 Save Game](#)

speaker programs pharmaceutical

[Microsoft Office 2011 For Mac 14.0.0 Final For Mac](#)

EASE Focus 3 EASE Focus 3 is a three-dimensional, acoustic simulation software for the configuration and modeling of line array systems, digitally steered columns.. netlify com > Speaker Box Cad Programs ■. It's a very highly rated, free program for Windows Other free software available on this site Sonosub - design a cylindrical subwoofer.. S Wake Island Wales (U K) Wallis and Futuna West Indies Yemen Yugoslavia Zaire Zambia Zimbabwe.. Speaker Box Cad Programs FreeSpeaker Box Cad Programs For Windows 10Cad Programs For Home DesignSpeaker Box Design Cadseoumsaseo.. It will print box designs and graphs for a professional presentation Speaker Box Cad Programs Manual Contains AThe online manual contains a Box Designers Guide to help beginners learn about sound, speakers and box design.. We can provide you with comprehensive Subwoofer Box Design Software for creating a high performance bass box.. TurboCAD Deluxe 2018 is one of the best beginner-friendly CAD programs available, due to its low price and functions.. Box Software Car Speaker Box Plans There are quite a few different enclosure design software programs out there.. Build a ported box, sealed box for your low-frequency speaker Make a subwoofer enclosure plan. 34bbb28f04 [Unduh Zombie Evil Babies Cheats Android](#)

34bbb28f04

[Close Skype App Mac](#)